



Series BF

Technical chart | Quick coupling systems

Nominal bore [mm]	Cv value		Q [L/min] water 20 °C, Δp = 1 bar		Q [m³/h] air 6 bar, 20 °C, Δp = 1 bar		p max. permissible static [bar / psi]
	EA	BA	EA	BA	EA	BA	
	Stainless Steel coupled						
5		0.80		11.42		40.49	64 / 928
9		4.00		57.12		202.43	64 / 928
12		8.00		114.25		404.85	64 / 928
25		14.70		209.93		743.92	40 / 580
50		59.50		849.72		3,011.11	16 / 232

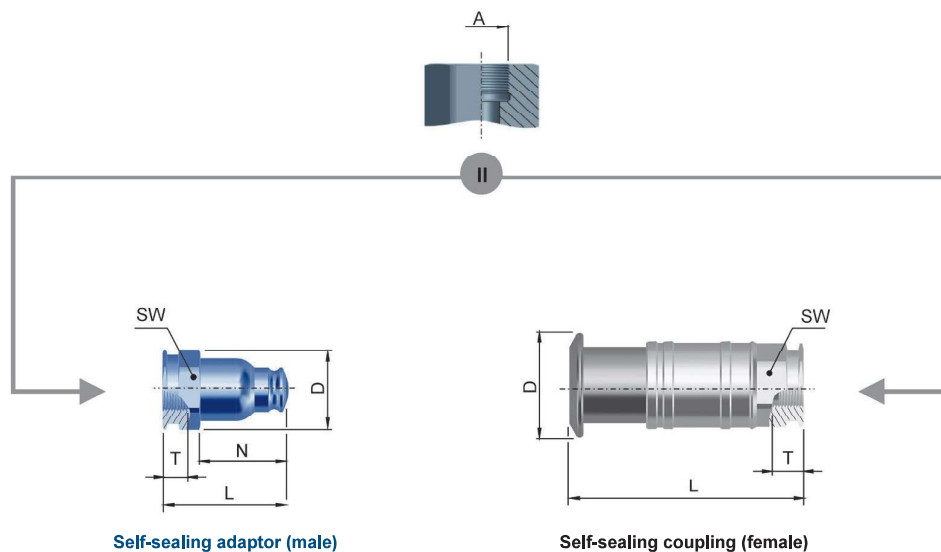
One side self-sealing (EA). Both sides self-sealing (BA). The pressure values are applicable at a temperature of 20°C. Please inquire about other temperature ranges.

Stated maximum permissible operating pressures (p max. permissible static) only apply to materials specified by us and to operation with group II media according to directive 2014/68/EU. Material combinations, optional materials, as well as other media or other temperature ranges can lead to divergent maximum permissible operating pressures and must be requested separately.

Please note that the maximum permissible operating pressure of the connection and quick coupling system must be considered when determining the operating pressure. Our safety instructions must be followed.

◀◀ The **performance diagram** can be found on the front catalogue fold-out page.

A detailed **connection description** can be found on the back catalogue fold-out page. ▶▶





Series BF

Features chart | Quick coupling systems

	Product features	Materials	Seals	Additional options
Standard	<ul style="list-style-type: none"> - Low leakage volume during disconnection - Automatic locking (one-hand operation) - Connection without air inclusion - Easy cleaning 	01 = Stainless steel 1.4404/1.4571 or similar	2 = FKM 4 = EPDM	BB = 3.1 production EF = 1935/2004-compliant EX = ATEX-compliant FD = FDA-compliant FF = Oil- and grease-free FL = Free from enamel flow-disturbing substances TA = Certified by the Clean Air Act (TA-Luft)
Optional			FFKM	

Note: Residual leakage quantities or coupling ingress volumes on request.

For example, a complete part number looks like this:

BF-005-0-WR513-Material-Seal-Additional options-Y..I-Z..

Product chart | Quick coupling systems

Self-sealing adaptor marked in blue



NB	Product type	A	Design	SW	T	D	L	N	Weight Stainless steel	Material-neutral part number
5	Self-sealing coupling (female)	BSPP 1/4"	II	22	13	29	68,5		165	BF-005-0-WR513-...-
5	Self-sealing adaptor (male)	BSPP 1/4"	II	22	13	24,5	37,5	23,5	50	BF-005-2-WR513-...-
9	Self-sealing coupling (female)	BSPP 1/2"	II	32	17	44	122		630	BF-009-0-WR521-...-
9	Self-sealing adaptor (male)	BSPP 1/2"	II	32	17	35,7	68	47,8	190	BF-009-2-WR521-...-

NB - Nominal bore [mm] A - Connection SW - Wrench size [mm] T - Thread length [mm] D - Diameter [mm] L - Length [mm] N - Adaptor length [mm] Weight [g]



Series BF

Product chart | Quick coupling systems

Self-sealing adaptor marked in blue

NB	Product type	A	Design	SW	T	D	L	N	Weight Stainless steel	Material-neutral part number
12	Self-sealing coupling (female)	BSPP 3/4"	II	46	19	64	143		1,300	BF-012-0-WR526-...-
12	Self-sealing adaptor (male)	BSPP 3/4"	II	46	19	51.2	78	54.2	440	BF-012-2-WR526-...-
25	Self-sealing coupling (female)	BSPP 1 1/2"	II	55	25	96	159		4,500	BF-025-0-WR548-...-
25	Self-sealing adaptor (male)	BSPP 1"	II	41	31.5	68	131	55.6	1,300	BF-025-2-WR533-...-
50	Self-sealing coupling (female)	BSPP 2 1/2"	II	95	33	137	223		15,200	BF-050-0-WR575-...-
50	Self-sealing adaptor (male)	BSPP 2"	II	75	35	114	195	80.8	5,350	BF-050-2-WR560-...-

NB - Nominal bore [mm] A - Connection SW - Wrench size [mm] T - Thread length [mm] D - Diameter [mm] L - Length [mm] N - Adaptor length [mm] Weight [g]