



## Series HC

### Technical chart | Quick coupling systems

Nominal bore [mm]	Cv value		Q [L/min] water 20 °C, Δp = 1 bar		Q [m³/h] air 6 bar, 20 °C, Δp = 1 bar		p max. permissible static [bar / psi]
	EA	BA	EA	BA	EA	BA	
6		0.61		8.71		30.87	650 / 9,430
8		1.47		20.99		74.39	600 / 8,700
12		2.93		41.85		148.28	600 / 8,700
16		5.03		71.84		254.55	600 / 8,700
20		7.37		105.26		372.97	600 / 8,700

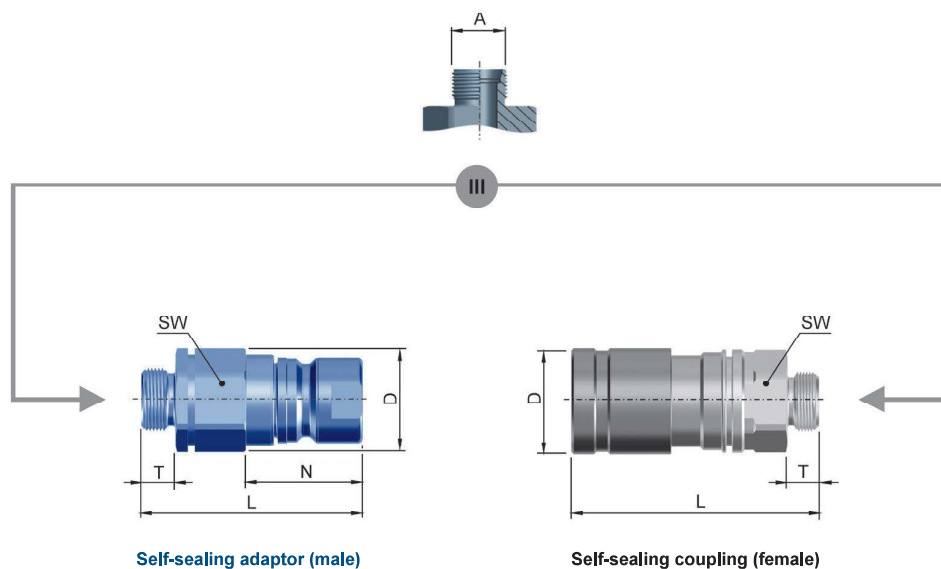
One side self-sealing (EA). Both sides self-sealing (BA). The pressure values are applicable at a temperature of 20°C. Please inquire about other temperature ranges.

Stated maximum permissible operating pressures (p max. permissible static) only apply to materials specified by us and to operation with group II media according to directive 2014/68/EU. Material combinations, optional materials, as well as other media or other temperature ranges can lead to divergent maximum permissible operating pressures and must be requested separately.

Please note that the maximum permissible operating pressure of the connection and quick coupling system must be considered when determining the operating pressure. Our safety instructions must be followed.

◀◀ The **performance diagram** can be found on the front catalogue fold-out page.

A detailed **connection description** can be found on the back catalogue fold-out page. ▶▶▶





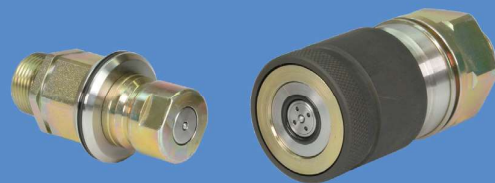
## Series HC

### Features chart | Quick coupling systems

	Product features	WEDISO	Additional options
Standard	<ul style="list-style-type: none"> <li>- Low leakage volume during disconnection</li> <li>- Automatic locking (one-hand operation)</li> <li>- Non-squirting</li> <li>- Connection without air inclusion</li> <li>- Full operating pressure even while disconnected</li> <li>- Flat surfaces for easy cleaning</li> </ul>	<b>Material</b> Galvanised steel, stainless steel, yellow-chromated, Locking sleeve: black phosphated = WEDISO  All self-sealing couplings AABA, all self-sealing adaptors AABB  <b>Special seals</b> suitable for mineral oil-based pressurised fluids, HFA and HFB fluids	Z10 = Basic design Z11 = Pressure relief valve Z12 = Additional dirt protection
Optional		Full stainless steel version	

For example, a complete part number looks like this:

**HC-G06-0-S1018-WEDISO-Additional options-Y../-Z..**



### Product chart | Quick coupling systems

Self-sealing adaptor marked in blue

NB	Product type	A	De-sign	Ran-ge	Pipe AD	Pipe ID	SW	T	D	L	N	Weight Steel	Material-neutral part number
6	Self-sealing coupling (female)	M 18 x 1.5	III	S	10	6	27	12	34	98.8		455	HC-G06-0-S1018-....-Z10
6	Self-sealing adaptor (male)	M 18 x 1.5	III	S	10	6	27	12	30.1	69	23.4	177	HC-G06-2-S1018-....-Z10
8	Self-sealing coupling (female)	M 20 x 1.5	III	S	12	8	32	12	42.4	104.8		660	HC-G08-0-S1220-....-Z10
8	Self-sealing adaptor (male)	M 20 x 1.5	III	S	12	8	27	12	30.1	69.2	26.8	220	HC-G08-2-S1220-....-Z10

NB - Nominal bore [mm] A - Connection SW - Wrench size [mm] T - Thread length [mm] D - Diameter [mm] L - Length [mm] N - Adaptor length [mm] Weight [g]



## Series HC

### Product chart | Quick coupling systems

Self-sealing adaptor marked in blue

NB	Product type	A	De- sign	Ran- ge	Pipe AD	Pipe ID	SW	T	D	L	N	Weight Steel	Material-neutral part number
12	Self-sealing coupling (female)	M 24 x 1.5	III	S	16	12	41	14	47.2	102.6		818	HC-G12-0-S1624-....-Z10
12	Self-sealing adaptor (male)	M 24 x 1.5	III	S	16	12	30	14	33.5	74.2	28.5	251	HC-G12-2-S1624-....-Z10
16	Self-sealing coupling (female)	M 30 x 2	III	S	20	16	50	16	57.8	112.4		1,406	HC-G16-0-S2030-....-Z10
16	Self-sealing adaptor (male)	M 30 x 2	III	S	20	16	41	16	45.6	80.4	31	487	HC-G16-2-S2030-....-Z10
20	Self-sealing coupling (female)	M 36 x 2	III	S	25	20	50	18	63.2	145.6		2,005	HC-G20-0-S2536-....-Z10
20	Self-sealing adaptor (male)	M 36 x 2	III	S	25	20	46	18	51.2	111.5	36	909	HC-G20-2-S2536-....-Z10

NB - Nominal bore [mm] A - Connection SW - Wrench size [mm] T - Thread length [mm] D - Diameter [mm] L - Length [mm] N - Adaptor length [mm] Weight [g]